



Your benefits

The introduction to professional call for action systems: the easy-to-retrofit Andon products in combination with WERMA KombiSIGN 71 and KombiSIGN 72 signal towers. With these products it is easy to improve safety and efficiency in the workplace.

- Rapid assistance reduces wait times
- Reduces response times and prevents shutdowns
- Intuitive and self-explanatory light system
- More reliability and efficiency (no running about, calling out, etc.)
- It can be expanded to a networked system at any time

Typical applications

- Professionally signal problems at workstations
- Manage supply of materials to workstations
- Optimise processes

Initial startup

- Simply connect AndonLIGHT with mains plug

Features

- Enables up to eight different statuses to be activated
- Signal directly on the signal tower with AndonCONTROL
- Activate signals on the signal tower with Andon SmartBOX





This is how you put together your AndonLIGHT system



AndonLIGHT - Pre-assembled Signal Tower

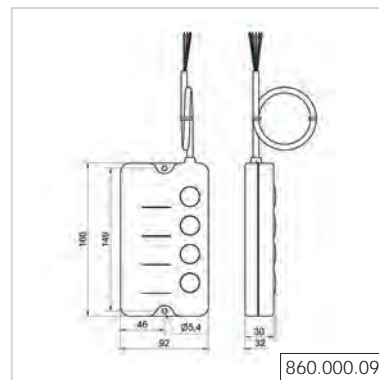
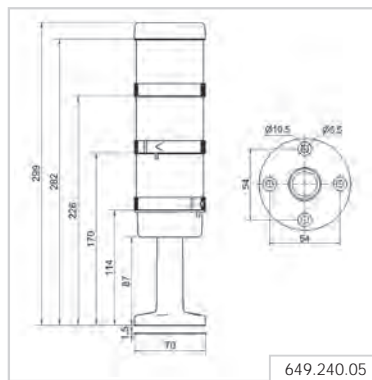
Or select one of our pre-configured variants.

i TECHNICAL SPECIFICATIONS/ORDER SPECIFICATIONS:

Pre-assembled signal tower	KombiSIGN 71	KombiSIGN 72
Order No.:	649 260 01	649 000 03
Consisting of:	 644 100 75 + 644 300 75 + 644 200 75 + 640 810 00 + 975 840 10 + 860 000 09	 647 110 75 + 647 310 75 + 647 210 75 + 640 810 00 + 975 840 10 + 860 000 09

Technical details are given on the relevant product page.

TECHNICAL DIAGRAMS:



Andon SmartBOX for Signal Towers

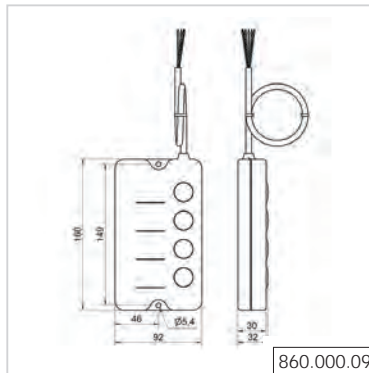


Andon SmartBOX for use in industrial applications

i TECHNICAL SPECIFICATIONS/ORDER SPECIFICATIONS:

Dimensions (B x H x T):	161 mm x 79 mm x 138 mm
Housing:	PA-GF Switches: PC
Fixing:	Base mounting, Wall mounting
Connection:	Via 5 m cable
Number of signal elements:	Max. 4 additional signal elements possible
Assembly:	Andon SmartBOX, power supply unit with connection cable (length 1.8 m), USB power supply, Adapter supplied (EU, UK, North America)
Voltage power supply unit:	100-240 V AC
Voltage signal elements:	24 V DC
Current consumption:	Max. 1 A
Order no.:	860 000 09

TECHNICAL DIAGRAMS:



Interchangeable adaptors (included in assembly) and wide input voltage range make the Power Supply suitable for worldwide use



AndonCONTROL / Connection Set for KombiSIGN 72 and 71



AndonCONTROL is a simple call system for a wide variety of applications



The four push buttons can be individually labelled



With the aid of the connection set, the master/receiver from KombiSIGN reflect can be used wherever an electrical socket is available (see next page)

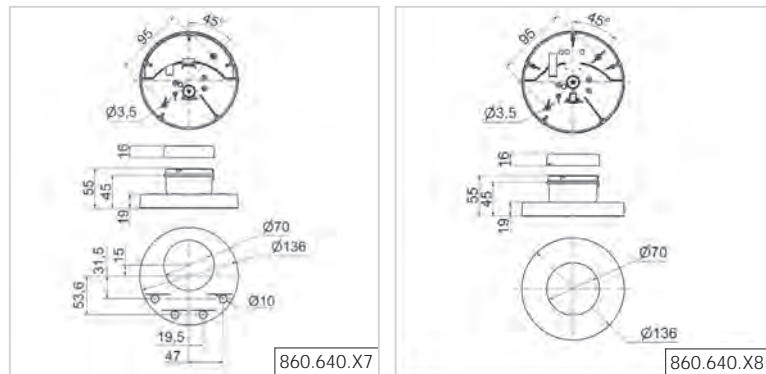
i TECHNICAL SPECIFICATIONS/ORDER SPECIFICATIONS:

Dimensions (Ø x Height):	136 mm x 45,5 mm	
Housing:	Base: PC/ABS	
Fixing:	Terminal element: PA-GF, shock resistant	
Number of signal elements:	Base mounting, Bracket mounting (accessory)	
Assembly:	Max. 4 additional signal elements possible	
AndonCONTROL, power supply unit with connection cable (length 1.8 m), interchangeable adaptors for EU, UK, North America, rubber feet, cable connection	Connection Set, power supply unit with connection cable (length 1.8 m), interchangeable adaptors for EU, UK, North America, rubber feet, cable connection	
Voltage power supply unit:	100-240 V AC	
Voltage signal elements:	24 V DC	
Current consumption:	Max. 1 A	
Order no.:	860 640 07	860 640 08

🏠 ACCESSORIES:

Mounting bracket, metal	975 883 01
-------------------------	-------------------

📐 TECHNICAL DIAGRAMS:



860 640 07 860 640 08